

UG-COVER-75 PROTECTION HOUSING

for Uniguard duct smoke detectors UG-5, UG-7 and UG8



GENERAL INFORMATION

UG-COVER-75 is used as covering protection for Uniguard duct smoke detector. When Uniguard is mounted in places where possible condensation problems could arise, e.g. in cold attics or outdoor, use UG-COVER-75 to avoid condensation of hot outlet air.

INSTALLATION

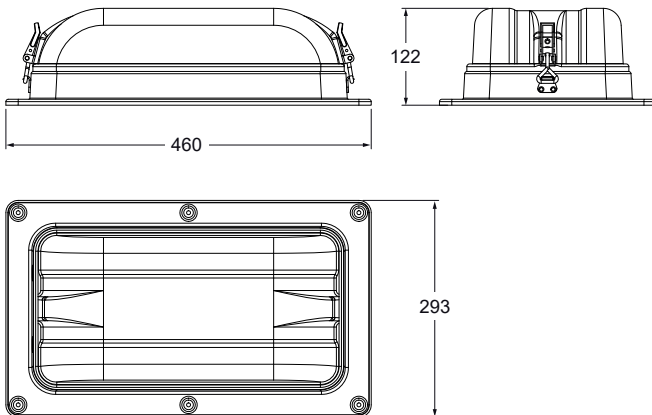
In places where possible condensation problems could arise, install the UG-COVER-75 horizontally to obtain the protection class IP54.

A sign should be used to show location of the detector.

TECHNICAL DATA

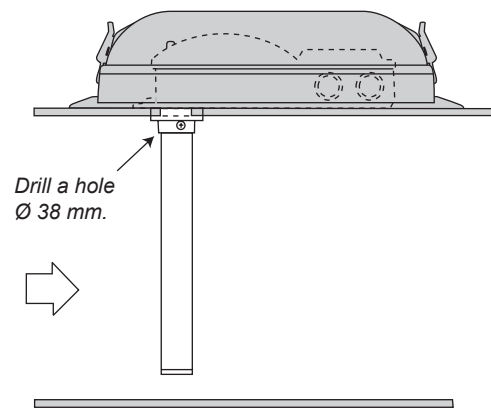
Suitable for detector model:	UG-5, UG-7 and UG8
Material	
Housing:	PC
Insulation:	Foamed PE, 6,4 mm
Cable gland:	2xM20, Ø 8-13 mm cable
Dimensions (WxHxD):	293x122x460 mm
Weight:	716 g
Protection:	IP54

DIMENSIONS (mm)



HIDDEN SMOKE DETECTOR

Sign



ORDERING EXAMPLE

Article code	Description
UG-COVER-75	Protection housing (for mounting outdoors, in cold attics etc.)